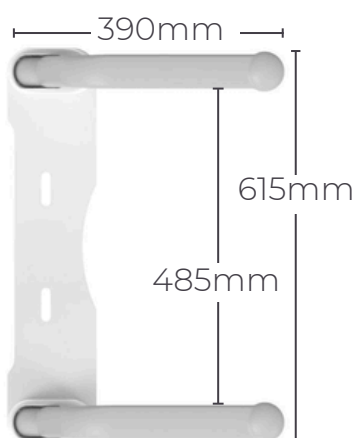






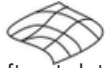


# Liberty Toilet Support Arms

White/Grey - S01SAW



Parts	
	Self-tapping Screw x4
	Arm Screws x 8
	Shim x 2
	Integrated Screw Kit x2
	Instructions x1

 Screwdriver	 Soft wet cloth
--	--

## AVAIL QUALITY DESIGNS

- Quickly installs onto any existing toilet including modern full face toilets
- 120kg recommended capacity across both arms, or 80kg on just one arm (240kg tested capacity across both arms)
- Supplied fasteners attach to any toilet seat fixing points
- Arms easily fold up when not in use
- Easily removed without a trace
- Strong colour contrast for easy visibility, suitable for assisted living, aged care, accommodation and commercial toilets



WWW.AVAIL.DESIGN



INFO@AVAIL.DESIGN



1300 945 720

## Caution

As shown in Figure 1, Toilet Seat applicable to the support arm must satisfy the requirements below:

- 1.To prevent interference between the arm rest end and the toilet cistern, the area of  $A \geq 60\text{mm}$  shall be flat.
- 2.Distance between the installation holes in the toilet seat:  $130\text{mm} \leq B \leq 200\text{mm}$ .

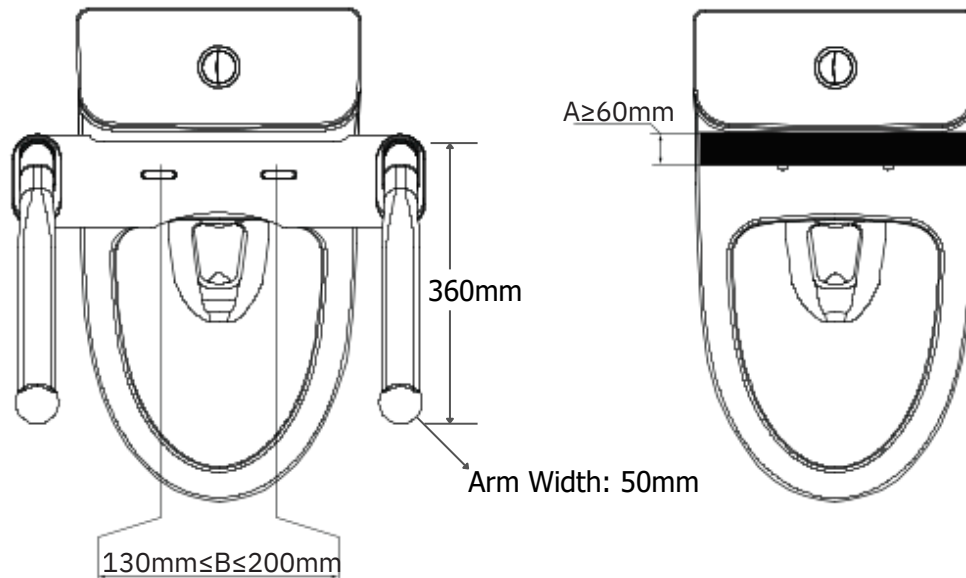
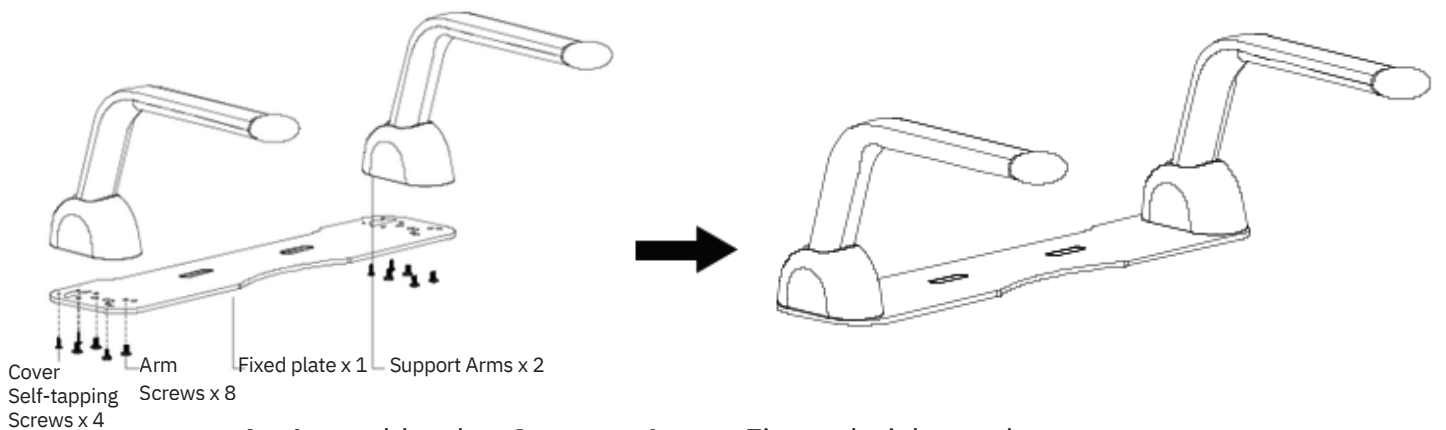


Fig.1

## INSTALLATION



1. Assemble the Support Arms. Fix and tighten the screws to assemble both left-hand and right-hand arms to the fixing plate.

# Toilet Support Arms – Toilet Seat Types

## OPTION A: TOP MOUNT

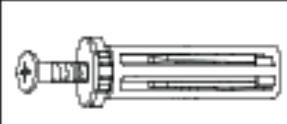

The fasteners supplied with the arms suit modern clip on quick release toilet seat brackets and all concealed toilet pans. If your seat has the metal covers or similar like below then our arms will fit with the supplied fasteners.



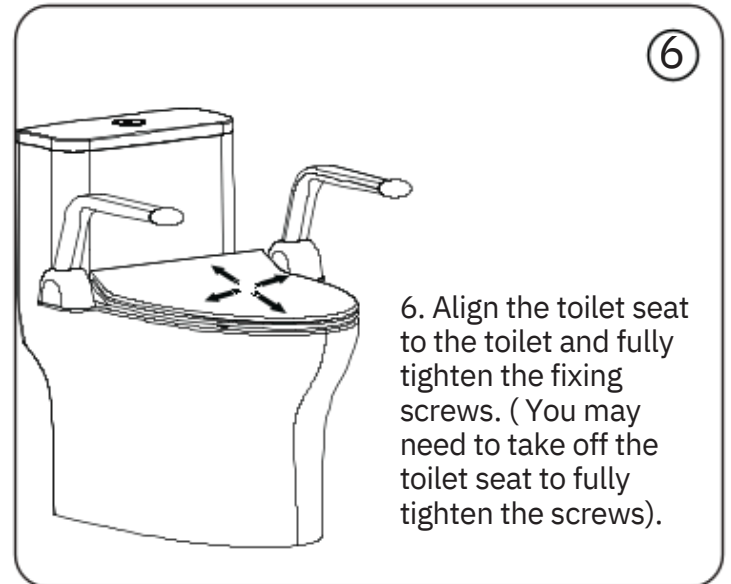
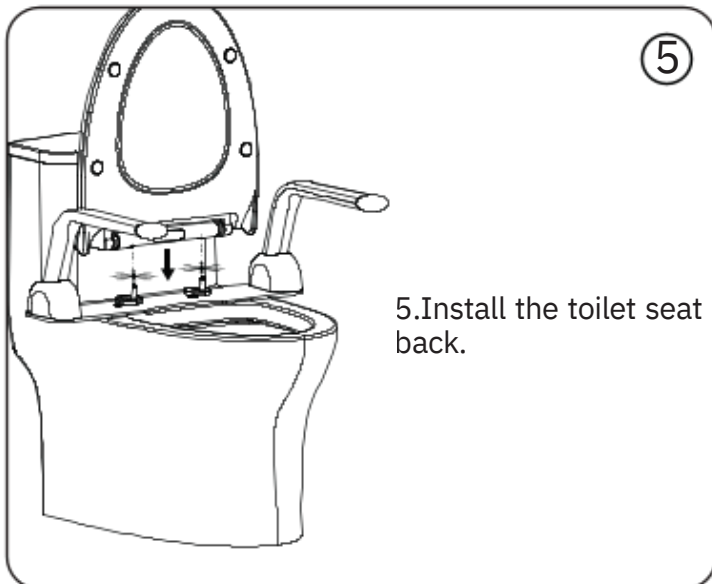
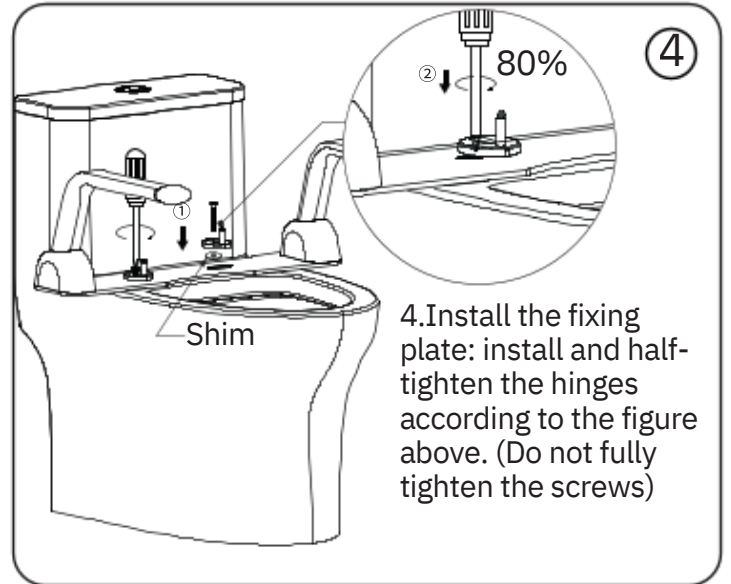
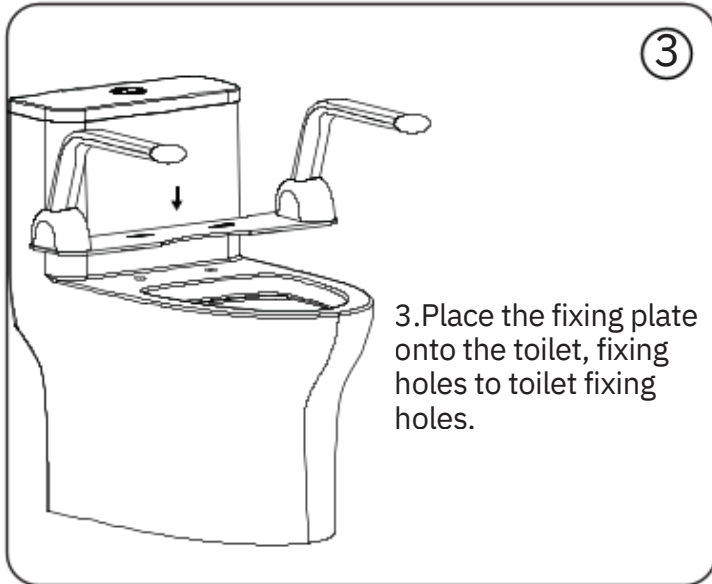
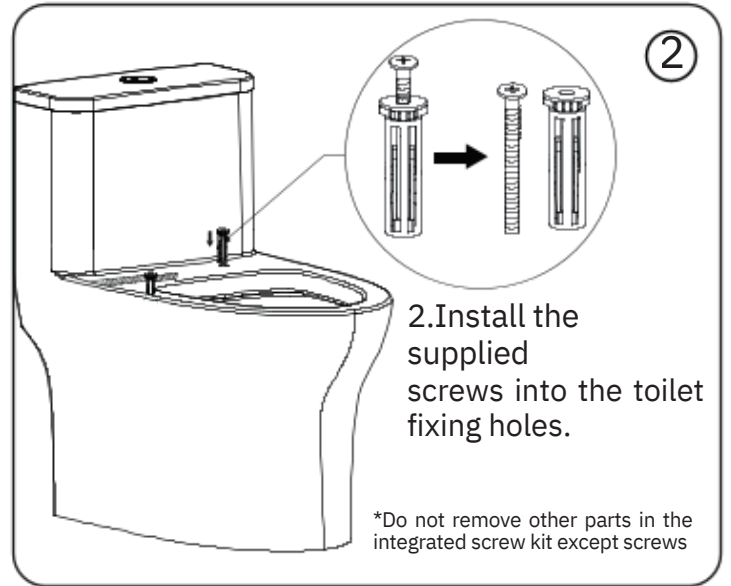
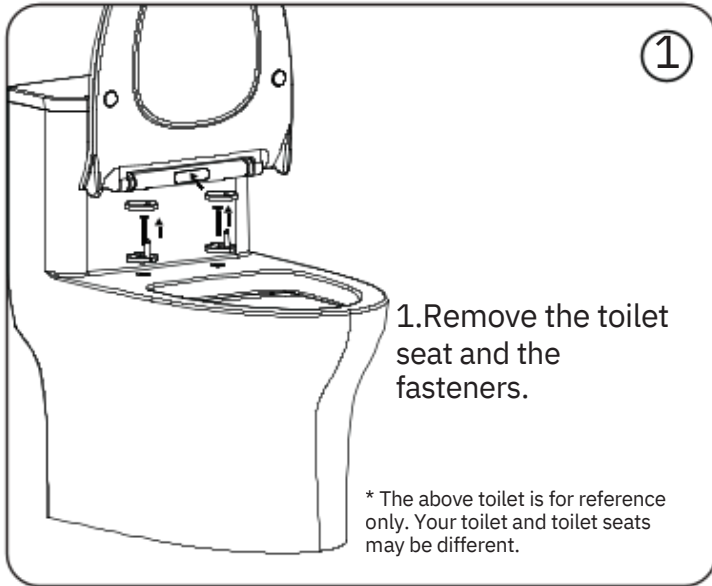
OPTION A: TOP MOUNT INSTALLATION

**Note: Toilet seat mounts are not included, you can reuse use your existing seat and brackets when installing the arms.**

Choose the locking installation method or the locking installation method according to the actual toilet style:

<i>A:Parts for top lock</i>	
	Integrated Screw Kit x2
	Shim x2

# OPTION A: TOP MOUNT INSTALLATION



# Toilet Support Arms – Toilet Seat Types

## OPTION B: BOTTOM LOCK

For some toilet seats, the supplied fasteners won't allow the plastic toilet seat fasteners to reattach (about 1 in 100 customers we find have these seats). See the below images with the plastic screw, in these cases you can either purchase a new universal toilet seat (approx. \$30) or we can supply fasteners to suit.







The optional fasteners we can supply for these seats allow a bolt and washer to go through both the seat and toilet seat to clamp the seat in place.



OPTION B: BOTTOM MOUNT INSTALLATION FOR THIS SEAT TYPE

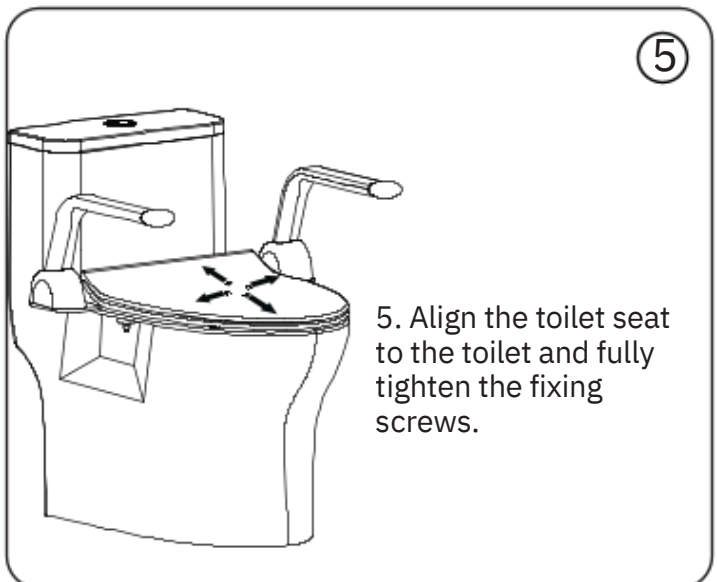
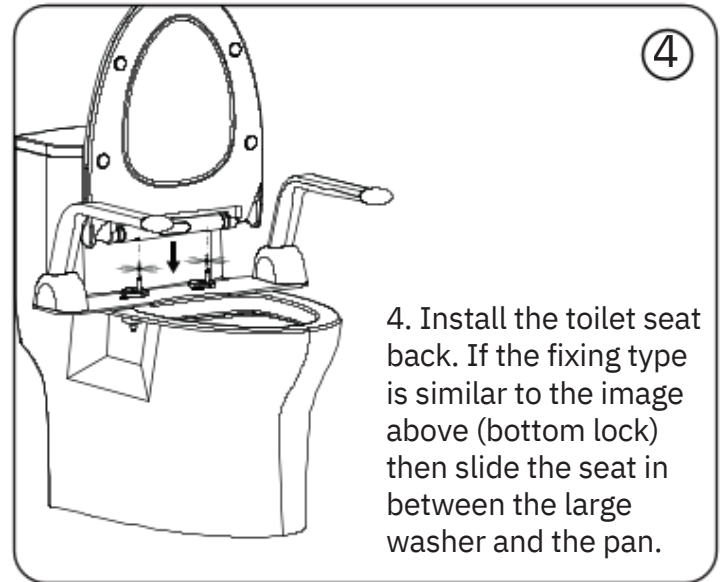
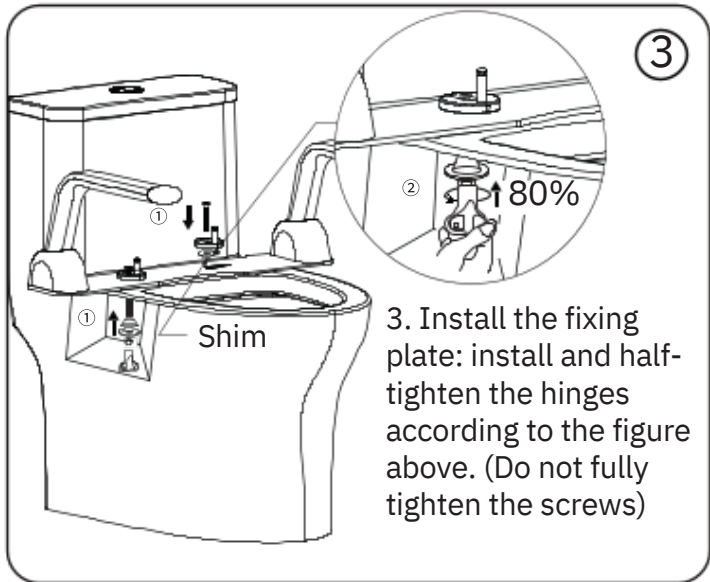
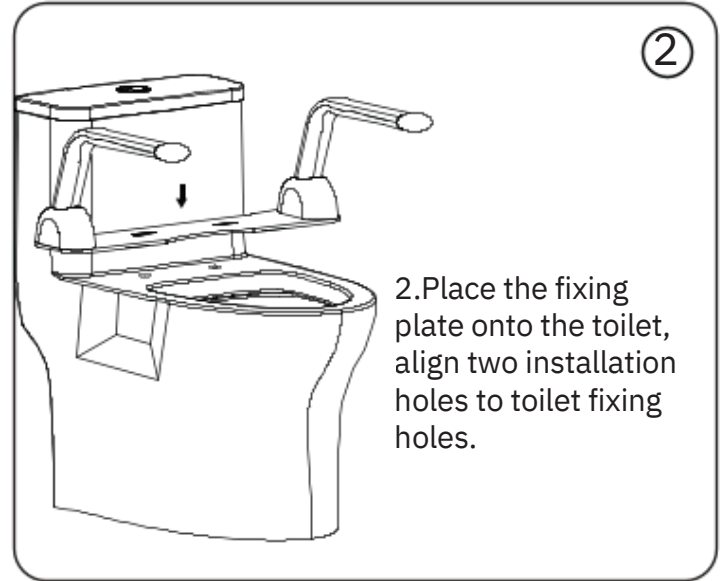
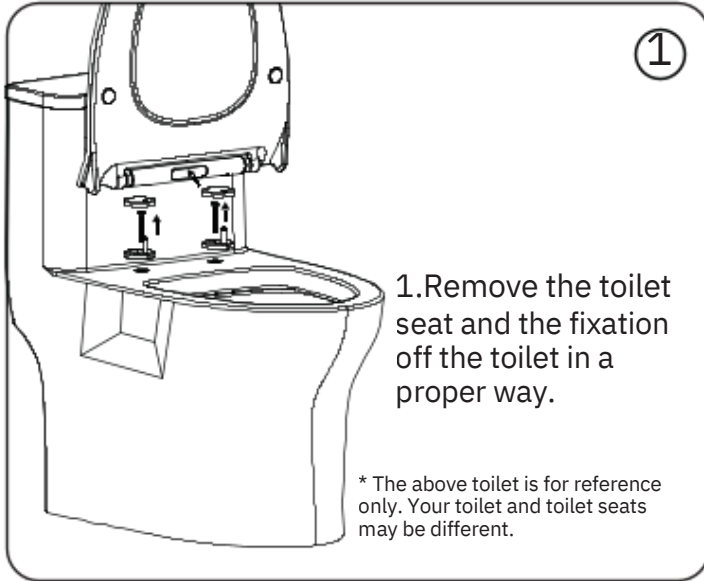
Choose the locking installation method or the locking installation method according to the actual toilet style:

### *B:Parts for bottom lock*

	Screw x2
	Shim x2
	Tapered rubber pad x2
	Rubber gasket x2
	Hexagon nut x2
	Nut handle x1

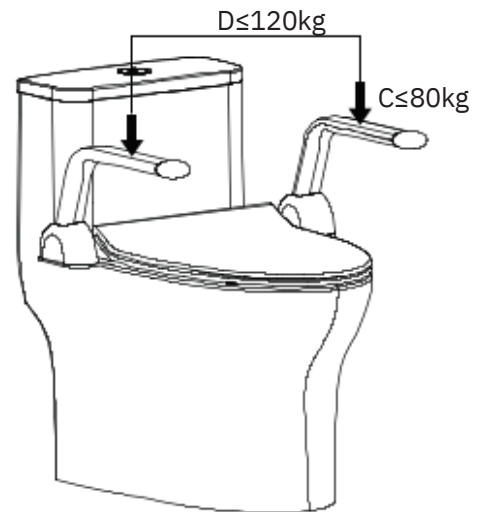


# OPTION B: BOTTOM LOCK INSTALLATION



## NOTES

- To prevent the lock nut from being pulled out or loosened during use of the arm rest, try to secure the hinge base fixation kit as tightly as possible without causing the nut to be stripped.
- To avoid the Toilet Seat from falling to one side, or being tilted up significantly, do not forcefully shake or put excessive pressure ( $C \leq 80\text{kg}$ ) onto one side of the arm rest after the arm rest is correctly installed.
- To prevent damage to the lifting handrails, the dual handrails simultaneously bear  $D \leq 120\text{kg}$
- The figures above are for reference only.



## CARE AND CLEANING

- Use a mild detergent such as liquid dishwashing soap and warm water for cleaning. Do not use abrasive or high density cleaners that may scratch or dull the surface.
- Carefully read the cleaner product label to ensure the cleaner is safe for use on the material.
- Always test your cleaning solution on an inconspicuous area before applying to the entire surface.
- Wipe surfaces clean and rinse completely with water immediately after cleaner application. Rinse and dry any overspray that lands on nearby surfaces.
- Use a soft, dampened sponge or cloth. Never use an abrasive material such as a brush or scouring pad to clean surfaces.

